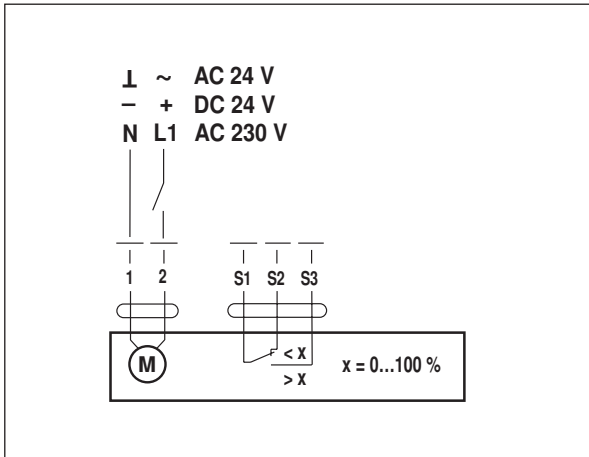
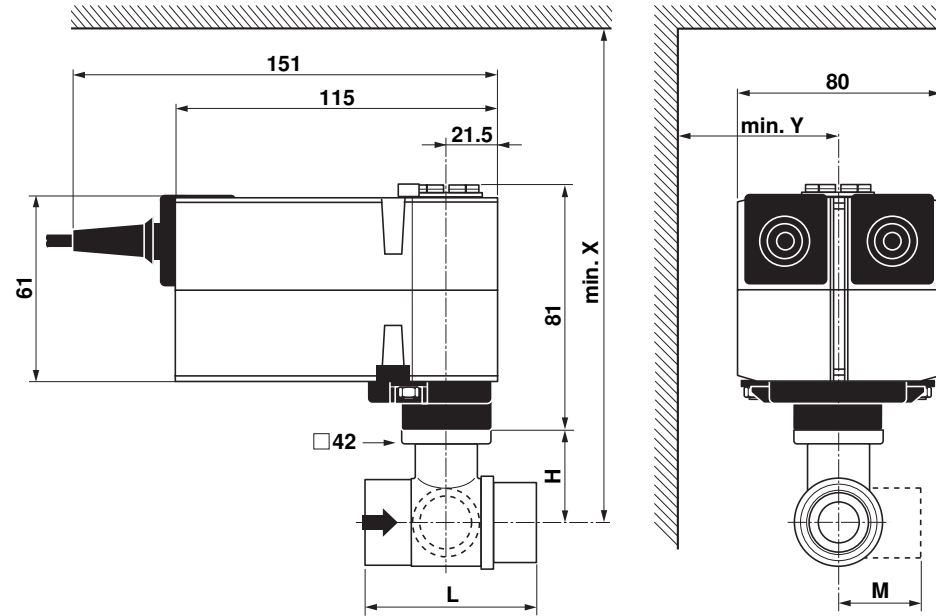




TRFD..S (-O) (-T)
TRF..S (-O) (-T)



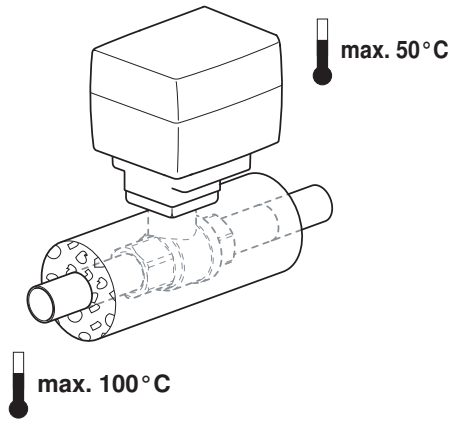
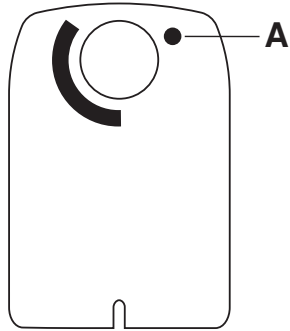
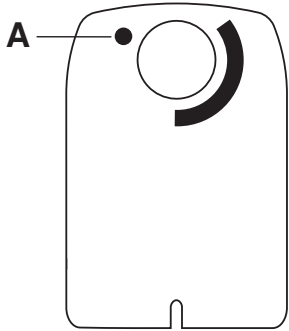
70330-00001.A



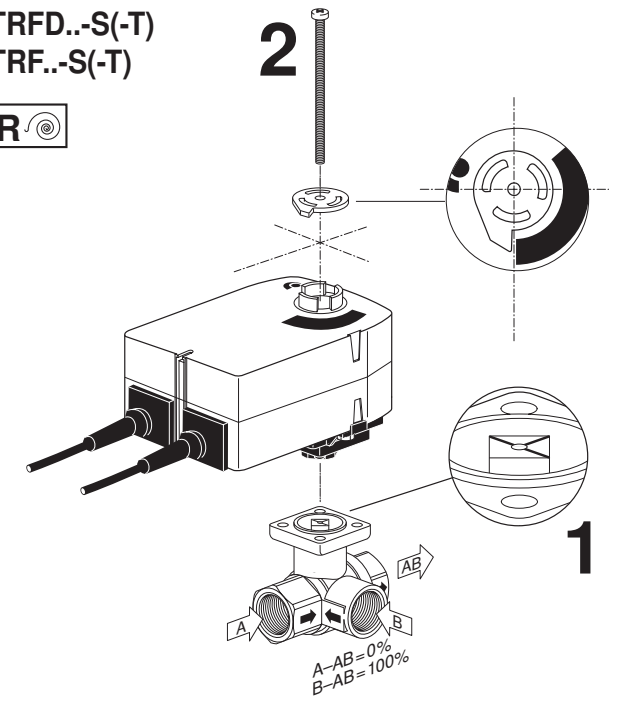
		DN		Rp	G	PN	mm							
		mm	"				TRFD..S(-O)(-T)			TRF..S(-O)(-T)				
							L	H	M	X	Y	X	Y	
R2..K	R3..K	10	3/8	3/8			52	35	28	180	80			
R4..K	R5..K	10	3/8		3/4		69	31.5	34	180	80			
R2..	R3..	15	1/2	1/2			67	45	39			190	80	
R4..	R5..	15	1/2		1		74	44	38			190	80	
R6..R	R7..R	15	1/2			6	101.5	45	73			190	80	

TRFD..-S(-T)
TRF..-S(-T)

TRFD..-S-O(-T)
TRF..-S-O(-T)



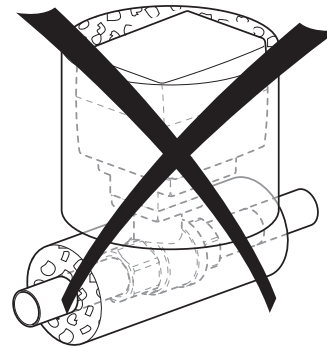
TRFD..-S(-T)
TRF..-S(-T)



TRFD..-S(-T)
TRF..-S(-T)



TRFD..-S-O(-T)
TRF..-S-O(-T)



TRFD..-S-O(-T)
TRF..-S-O(-T)

