

Rotary actuator for butterfly valves

- Nominal torque 35 Nm
- Nominal voltage AC/DC 24 V
- Control Open-close, 3-point
- with 2 integrated auxiliary switches


Technical data

Electrical data	Nominal voltage	AC/DC 24 V	
	Nominal voltage frequency	50/60 Hz	
	Nominal voltage range	AC 21.6...26.4 V / DC 21.6...26.4 V	
	Power consumption in operation	30 W	
	Power consumption in operation note	incl. heating	
	Power consumption for wire sizing	33 VA	
	Current consumption	1.6 A	
	Auxiliary switch	2 x SPDT, 1 x 3° / 1 x 87°	
	Switching capacity auxiliary switch	1 mA...3 (0.5 inductive) A, DC 5 V ... AC 250 V	
	Connection supply / control	Terminals 1.5 mm ² (Wire 0.5...1.5 mm ²)	
Parallel operation	No		
Functional data	Torque motor	35 Nm	
	Manual override	temporary with open-end wrench	
	Angle of rotation	90°	
	Angle of rotation note	Internal electrical end stops	
	Running time motor	20 s	
	Duty cycle	30 % (= active time 20 s / operating time 67 s)	
	Sound power level motor	70 dB(A)	
	Position indication	Mechanically (integrated)	
	Safety	Protection class IEC/EN	I Protective earth
		Protection class auxiliary switch IEC/EN	I Protective earth
Degree of protection IEC/EN		IP67	
EMC		CE according to 2014/30/EU	
Low voltage directive		CE according to 2014/35/EU	
Mode of operation		Type 1	
Control pollution degree		4	
Ambient temperature		-30...65°C	
Non-operating temperature		-30...80°C	
Ambient humidity		95% r.h., non-condensing	
Maintenance	Maintenance-free		
Mechanical data	Connection flange	F05	
Weight	Weight	2.1 kg	
Materials	Housing material	Aluminium pressure casting	

Safety notes


- This device has been designed for use in stationary heating, ventilation and air conditioning systems and must not be used outside the specified field of application, especially in aircraft or in any other airborne means of transport.
- Only authorised specialists may carry out installation. All applicable legal or institutional installation regulations must be complied during installation.
- The device does not contain any parts that can be replaced or repaired by the user.
- The device contains electrical and electronic components and must not be disposed of as household refuse. All locally valid regulations and requirements must be observed.

Product features

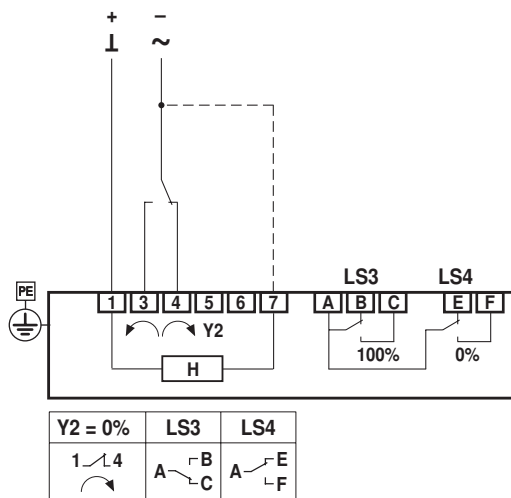
Simple direct mounting	Simple direct mounting on the butterfly valve. The mounting orientation in relation to the butterfly valve can be selected in 90° (angle) increments.
Manual override	Manual operation with open-end wrench (rotating the open-end wrench in clockwise direction opens the butterfly valve).
Internal heating	An internal heater prevents condensation buildup.
High functional reliability	The internal limit switches interrupt the voltage supply to the motor. In addition, a motor thermostat provides overload protection and interrupts the voltage supply if the actuator is used outside of the specified temperatures.
Combination valve/actuator	Refer to the valve documentation for suitable valves, their permitted medium temperatures and closing pressures.
Signalling	The integrated auxiliary switches are equipped with a gold/silver coating that permits integration both in circuits with low currents (mA range) and in ones with larger-sized currents (A range) in accordance with the specifications in the data sheet. It should be noted with this application however that the contacts can no longer be used in the milliampere range after larger currents have been applied to them, even if this has taken place only once.

Electrical installation



Notes • Connection via safety isolating transformer.

Wiring diagrams



H: Internal heating (no need to connect internal heating for indoor applications with constant temperature conditions)
 LS3: Auxiliary switch 100% (butterfly valve open)
 LS4: Auxiliary switch 0% (butterfly valve closed)

Settings



Notes

- Limit switches TC1/TC2 and angle of rotation limitation are provided with sealing varnish and may not be adjusted.

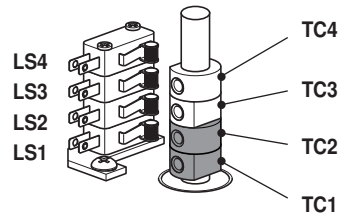
Setting cam

The setting cams for limit and auxiliary switches can be accessed by removing the housing cover.

Optionally, auxiliary switches LS4 / LS3 can be connected for signalling.

Limit switches LS2 / LS1 interrupt the voltage to the motor and are controlled by setting cams TC..

The setting cams turn with the stem. The butterfly valve closes when the stem is turning clockwise (cw) and opens when the stem is turning counterclockwise (ccw).



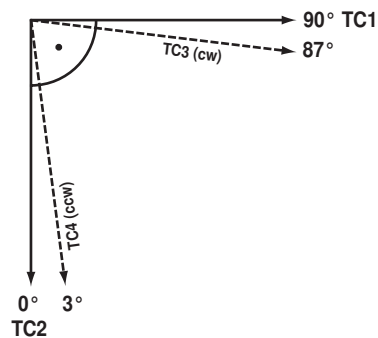
TC1/TC2 with sealing varnish: limit switches are secured against adjustment

Settings of setting cams TC..

- TC4 for auxiliary switch position closed (factory setting 3°).
- TC3 for auxiliary switch position open (factory setting 87°).
- TC2 for limit switch closed (0°).
- TC1 for limit switch open (90°).

Adjusting setting cams

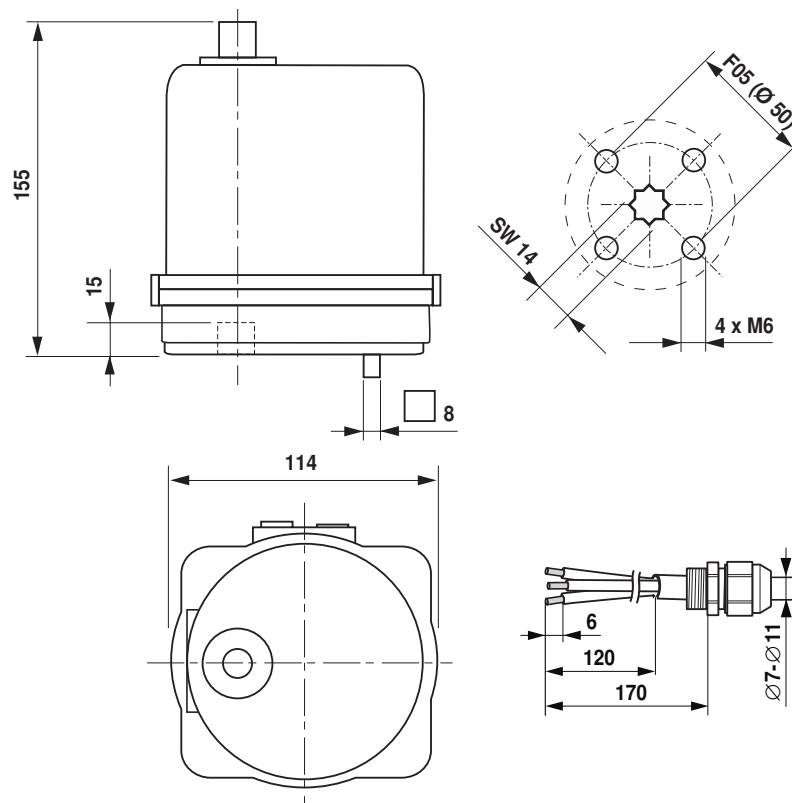
- 1) Use a 2.5 mm Allen key to unscrew the corresponding setting cams TC..
- 2) Turn the setting cam using the Allen key
- 3) Set as shown in the illustration below
- 4) Use the Allen key to tighten the corresponding setting cams



TC1: OPEN
TC2: CLOSED
TC3: Present position
TC4: Desired position

Dimensions [mm]

Dimensional drawings



Further documentation

- Data sheets for butterfly valves
- Installation instructions for actuators and/or butterfly valves
- Notes for project planning for butterfly valves