

SuperCap rotary actuator with emergency control function and extended functionalities for rotary valves and butterfly valves

- Nominal torque 40 Nm
- Nominal voltage AC/DC 24 V
- Control Open-close
- Design life SuperCaps: 15 years


Technical data

| | | |
|------------------------|--|---|
| Electrical data | Nominal voltage | AC/DC 24 V |
| | Nominal voltage frequency | 50/60 Hz |
| | Nominal voltage range | AC 19.2...28.8 V / DC 21.6...28.8 V |
| | Power consumption in operation | 11 W |
| | Power consumption in rest position | 3 W |
| | Power consumption for wire sizing | 21 VA |
| | Power consumption for wire sizing note | I _{max} 20 A @ 5 ms |
| | Connection supply / control | Cable 1 m, 2 x 0.75 mm ² |
| | Parallel operation | Yes (note the performance data) |
| Functional data | Torque motor | Min. 40 Nm |
| | Setting emergency setting position (POP) | NC / NO, adjustable (POP rotary button) |
| | Manual override | with push-button |
| | Running time motor | 150 s / 90° |
| | Running time emergency control position | 35 s / 90° |
| | Running time emergency setting position note | <35 s @ 0...50 °C |
| | Sound power level motor | 52 dB(A) |
| | Sound power level emergency control position | 61 dB(A) |
| | Position indication | Mechanical |
| Safety | Protection class IEC/EN | III Safety Extra-Low Voltage (SELV) |
| | Protection class UL | UL Class 2 Supply |
| | Degree of protection IEC/EN | IP54 |
| | Degree of protection NEMA/UL | NEMA 2, UL Enclosure Type 2 |
| | EMC | CE according to 2014/30/EU |
| | Certification IEC/EN | IEC/EN 60730-1 and IEC/EN 60730-2-14 |
| | Certification UL | cULus according to UL 60730-1A, UL 60730-2-14 and CAN/CSA E60730-1:02 |
| | Mode of operation | Type 1.AA |
| | Rated impulse voltage supply / control | 0.8 kV |
| | Control pollution degree | 3 |
| Mechanical data | Ambient temperature | -30...50 °C |
| | Non-operating temperature | -40...80 °C |
| | Ambient humidity | 95% r.h., non-condensing |
| | Maintenance | Maintenance-free |
| Weight | Connection flange | F05 |
| | Weight | 2.8 kg |
| Terms | Abbreviations | POP = Power off position / emergency setting position CPO = Controlled power off / controlled emergency control function PF = Power fail delay time / bridging time |

Safety notes


- This device has been designed for use in stationary heating, ventilation and air conditioning systems and must not be used outside the specified field of application, especially in aircraft or in any other airborne means of transport.

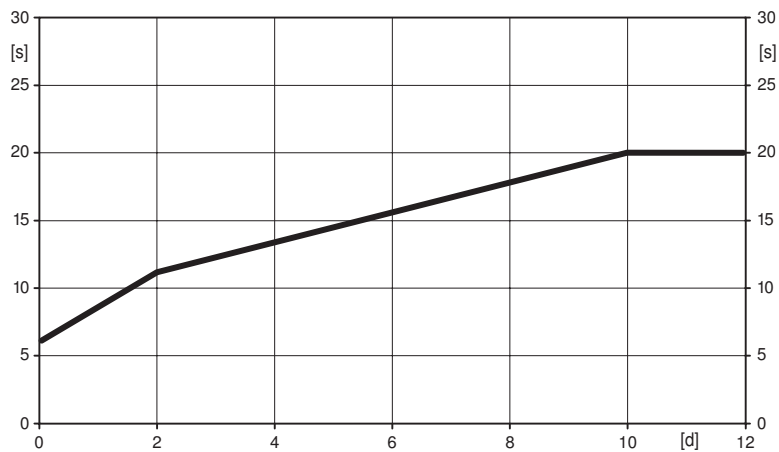
Safety notes

- Outdoor application: only possible in case that no (sea)water, snow, ice, insolation or aggressive gases interfere directly with the actuator and that is ensured that the ambient conditions remain at any time within the thresholds according to the data sheet.
- Only authorised specialists may carry out installation. All applicable legal or institutional installation regulations must be complied during installation.
- The device may only be opened at the manufacturer's site. It does not contain any parts that can be replaced or repaired by the user.
- Cables must not be removed from the device.
- The device contains electrical and electronic components and must not be disposed of as household refuse. All locally valid regulations and requirements must be observed.

Product features

- Mode of operation** The actuator moves the valve to the desired operating position at the same time as the integrated capacitors are loaded. Interrupting the supply voltage causes the valve to be moved to the selected emergency setting position (POP) by means of stored electrical energy.
- Pre-charging time (start up)** The capacitor actuators require a pre-charging time. This time is used for charging the capacitors up to a usable voltage level. This ensures that, in the event of an electricity interruption, the actuator can move at any time from its current position into the preset emergency setting position (POP). The duration of the pre-charging time depends mainly on how long the power was interrupted.

Typical pre-charging time



[d] = Electricity interruption in days
[s] = Pre-charging time in seconds

Delivery condition (capacitors)

The actuator is completely discharged after delivery from the factory, which is why the actuator requires approximately 20 s pre-charging time before initial commissioning in order to bring the capacitors up to the required voltage level.

Simple direct mounting

Simple direct mounting on the rotary valve or butterfly valve with mounting flange. The mounting orientation in relation to the fitting can be selected in 90° steps.

Manual override

Manual control with push-button possible - temporary. The gear is disengaged and the actuator decoupled for as long as the button is pressed.

Adjustable angle of rotation

Adjustable angle of rotation with mechanical end stops.

High functional reliability

The actuator is overload protected, requires no limit switches and automatically stops when the end stop is reached.

Combination valve/actuator

For valves with the following mechanical specifications in accordance with ISO 5211 F05:

- Square stem head SW = 14 mm for form-fit coupling of the rotary actuator.
- Hole circle d = 50 mm

Product features

Emergency setting position (POP) rotary knob

The rotary knob «Emergency setting position» can be used to adjust the desired emergency setting position (POP). In the event of an electricity interruption, the actuator drives into the selected emergency setting position (POP), taking into account the bridging time (PF) of 2 s which was set ex-works.

Accessories

| | Description | Type |
|------------------------|---|---------|
| Electrical accessories | Auxiliary switch, add-on, 1 x SPDT | S1A |
| | Auxiliary switch, add-on, 2 x SPDT | S2A |
| | Feedback potentiometer 140 Ohm, add-on | P140A |
| | Feedback potentiometer 200 Ohm, add-on | P200A |
| | Feedback potentiometer 500 Ohm, add-on | P500A |
| | Feedback potentiometer 1 kOhm, add-on | P1000A |
| | Feedback potentiometer 2.8 kOhm, add-on | P2800A |
| | Feedback potentiometer 5 kOhm, add-on | P5000A |
| | Feedback potentiometer 10 kOhm, add-on | P10000A |

Electrical installation

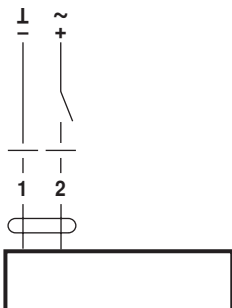


Notes

- Connection via safety isolating transformer.
- Parallel connection of other actuators possible. Observe the performance data.
- Direction of rotation switch is covered. Factory setting: Direction of rotation Y2.

Wiring diagrams

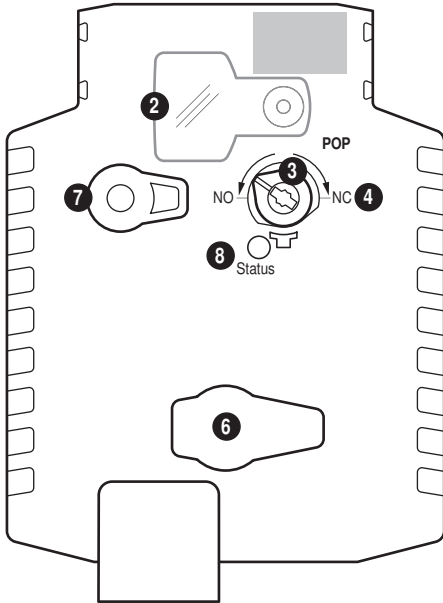
AC/DC 24 V, open-close



Cable colours:

- 1 = black
- 2 = red

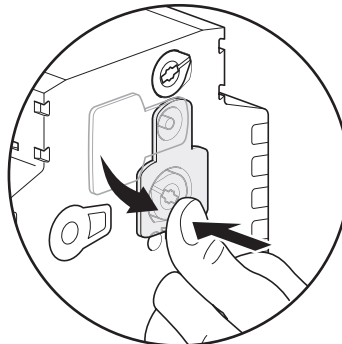
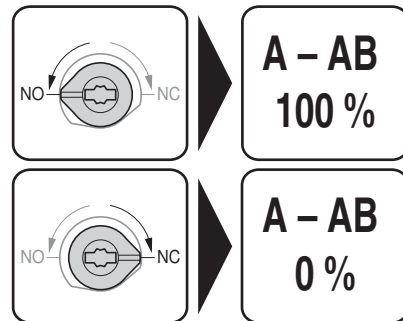
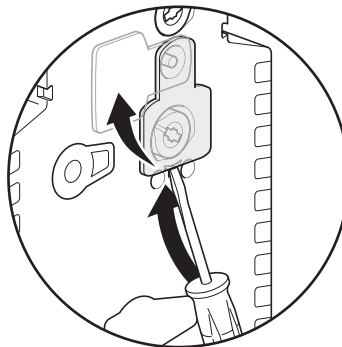
Operating controls and indicators



- 2 Cover, POP button
- 3 POP button
- 4 Scale for manual adjustment
- 6 (no function)
- 7 Disengagement button

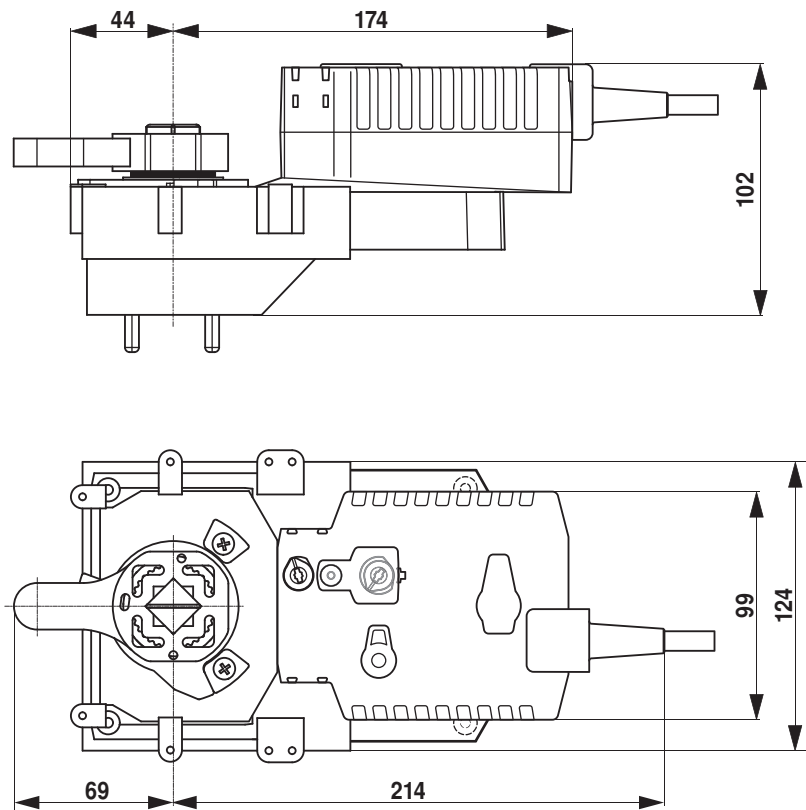
| LED display | Meaning / function |
|-------------|--|
| 8 green | |
| On | Operation OK / without fault |
| Flashing | POP function active |
| Off | - Not in operation - Pre-charging time SuperCap - Fault SuperCap |

Setting emergency setting position (POP)



Dimensions [mm]

Dimensional drawings



Further documentation

- Overview Valve-actuator combinations
- Data sheets for rotary valves and butterfly valves
- Installation instructions for actuators and/or rotary valves and butterfly valves
- General notes for project planning